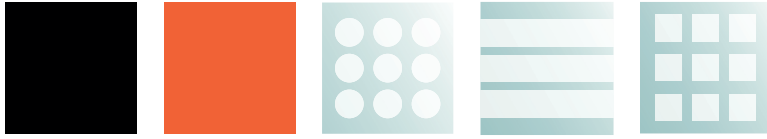


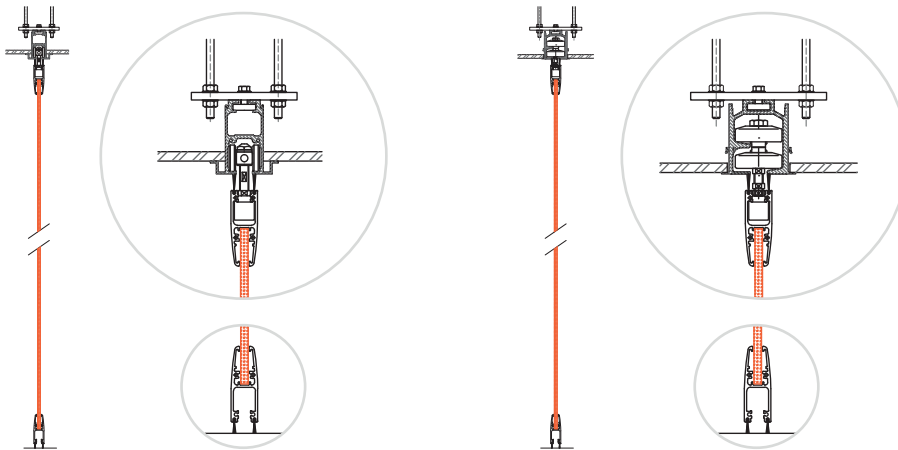
Manifestation & Design Options

The SG35 offers both style and privacy.



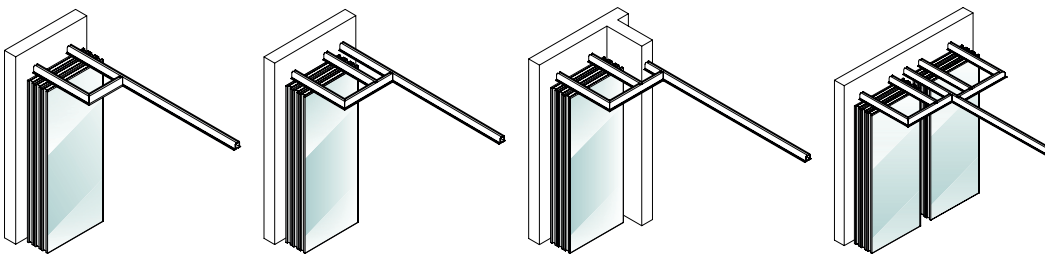
Cross Sections

Track and trolley cross sections.



Stacking Arrangement Examples

The SG35 is available in an array of stacking options.



Panel Options

Get the most out of your space with panel and door options.

